

DESCRIPTION:  
**SNAPNRACK, ULTRA RAIL FLAT TILE HOOK**

PART NUMBER(S):  
**242-01224**

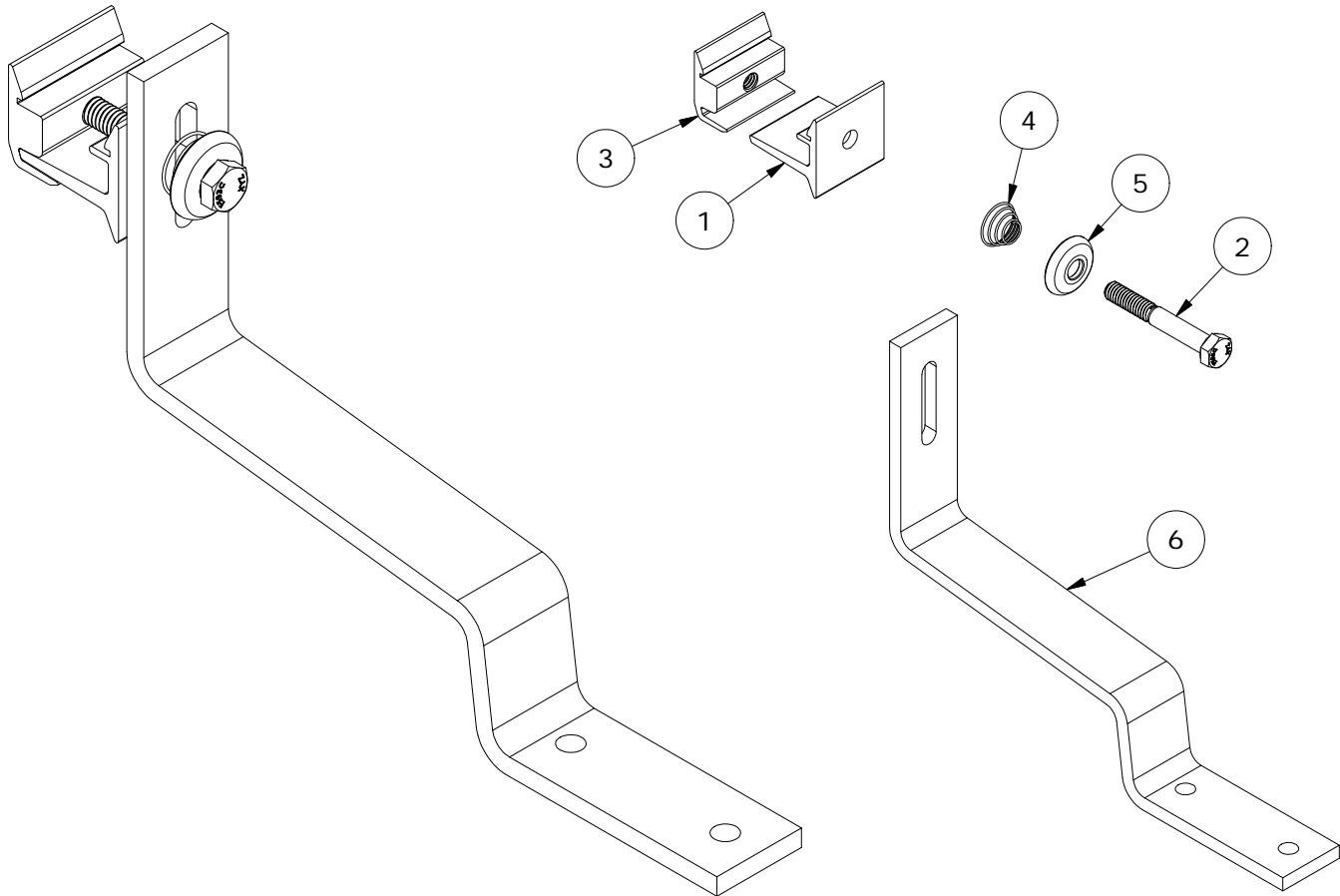
DRAWN BY:  
 mwatkins

REVISION:  
**A**

**SnapNrack™**  
 Solar Mounting Solutions

595 MARKET STREET, 29TH FLOOR • SAN FRANCISCO, CA 94105 USA  
 PHONE (415) 580-6900 • FAX (415) 580-6902

THE INFORMATION IN THIS DRAWING IS CONFIDENTIAL AND PROPRIETARY. ANY REPRODUCTION, DISCLOSURE, OR USE THEREOF IS PROHIBITED WITHOUT THE WRITTEN CONSENT OF SUNRUN SOUTH LLC.



PARTS LIST		
ITEM	QTY	DESCRIPTION
1	1	SNAPNRACK, ULTRA RAIL MOUNT THRU PRC, SILVER
2	1	5/16IN-18 X 2-1/4IN SS HCS BOLT
3	1	SNAPNRACK, ULTRA RAIL MOUNT TAPPED PRC, SILVER
4	1	SNAPNRACK, ULTRA RAIL MOUNT SPRING, SS
5	1	SNAPNRACK, ULTRA RAIL MOUNT SPRING CAGE, 6061-T6 AL
6	1	SNAPNRACK, FLAT TILE HOOK PRC, SS

MATERIALS:	6000 SERIES ALUMINUM, STAINLESS STEEL	OPTIONS:
DESIGN LOAD (LBS):	318 UP, 394 DOWN, 417 SIDE	
ULTIMATE LOAD (LBS):	796 UP, 591 DOWN, 1500 SIDE	
TORQUE SPECIFICATION:	12 LB-FT	
CERTIFICATION:	UL 2703, FILE E359313	
WEIGHT (LBS):	1.57	

DESCRIPTION:  
**SNAPNRACK, ULTRA RAIL FLAT TILE HOOK**

PART NUMBER(S):  
**242-01224**

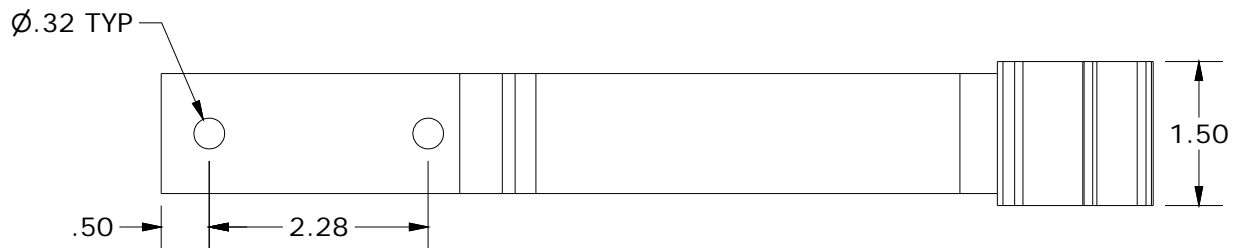
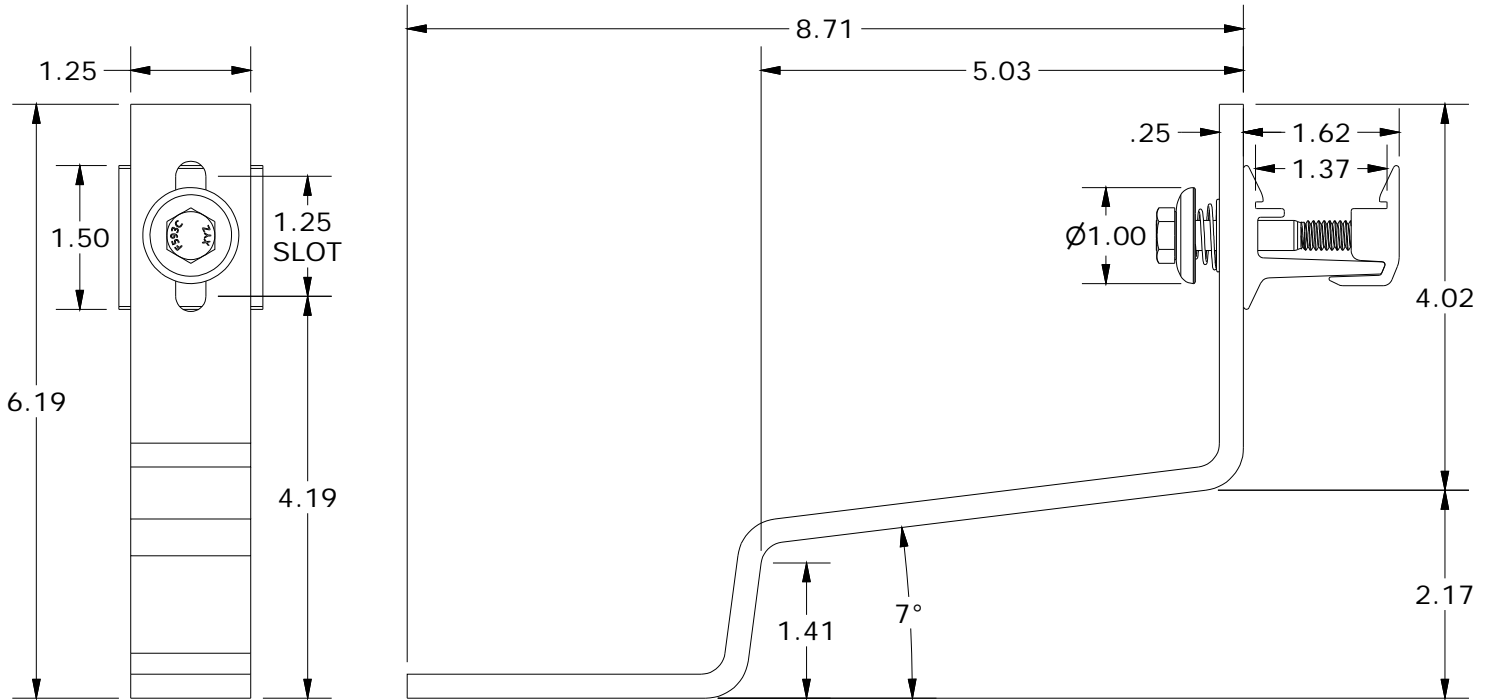
DRAWN BY:  
 mwatkins

REVISION:  
**A**

**SnapNrack™**  
 Solar Mounting Solutions

595 MARKET STREET, 29TH FLOOR • SAN FRANCISCO, CA 94105 USA  
 PHONE (415) 580-6900 • FAX (415) 580-6902

THE INFORMATION IN THIS DRAWING IS CONFIDENTIAL AND PROPRIETARY. ANY REPRODUCTION, DISCLOSURE, OR USE THEREOF IS PROHIBITED WITHOUT THE WRITTEN CONSENT OF SUNRUN SOUTH LLC.



ALL DIMENSIONS IN INCHES